



## Product Description

The APC remote monitoring system (RMS) is engineered for use in harsh & hazardous locations.

Utilising the 24 hour, worldwide Iridium™ messaging service, the system provides a configurable, cost efficient data communications capability giving you a safe cost effective alternative to on-site attendance.

The unit is customisable to meet the requirements of a client and designed to integrate with an existing sensor system.

Additionally low monthly data costs available based on number of units. Extended warranty options also available.

## Data Input Options

With a range of power supply options designed to meet the needs of industry, the RMS provides a scalable low cost entry point to users who wish to incorporate remote site monitoring into their business.

The system is capable of monitoring a number of different electrical interfaces including:

- 4 - 20 mA industrial sensors
- 0- 5 volt sensors
- SPI bus
- I2C bus
- Analog
- Digital discrete
- Ethernet

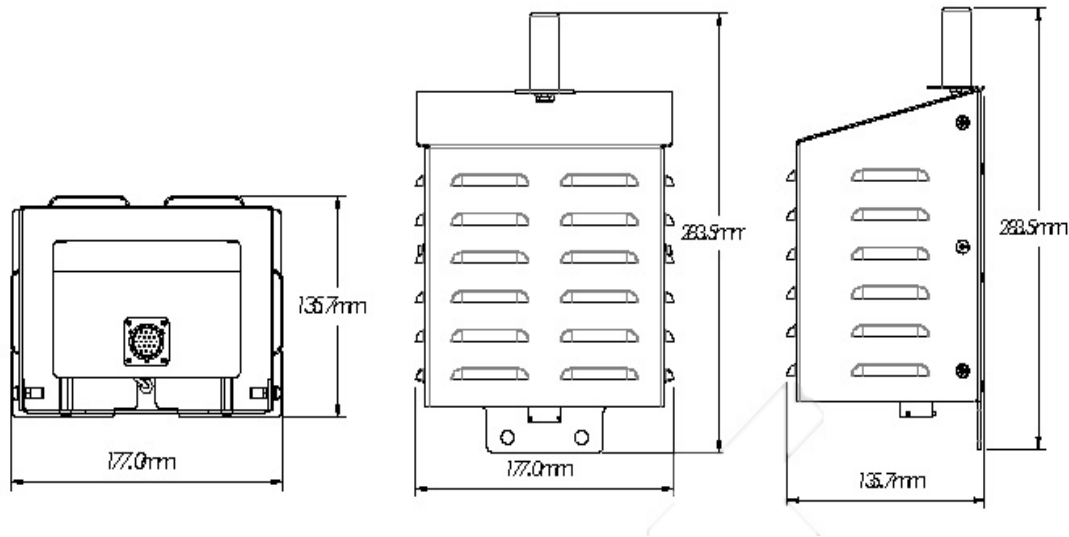
## Applications

Due to the flexibility of the RMS configuration, the range of monitoring applications is extensive.

Examples include but are not limited to:-

- Environmental
- Well head
- Electrical
- Test point
- Gas
- Storage tank
- Fluid flow
- Farming infrastructure
- Location reporting

*The image shown is the current prototype. Due to continuing developments, specifications are subject to change without notice. No liability is accepted for errors or omissions.*



**Physical Dimensions**

Unit dimensions 1: 177(W) x 135.7(D) x 283.5(H)mm  
Gross weight: 2.95kg

**Construction**

Sealing: Sealed to IP65 at face plate  
Enclosure: Aluminium - zinc plated and powder coated

**Connections**

Sensor connection: Rugged Cannon type connector  
Earth bolt: M4

**Power Supply**

Battery type: Internal battery  
Intrinsically safe if required  
Various external supply options

**Environmental Specifications**

Operating temp: 0°C to +50°C  
Storage temp: -20°C to +60°C  
Vibration: 5 - 57Hz 0.15mm peak displacement  
58 - 2000Hz @ 1.0G accelerations  
Shock: 20G, 11mS pulse  
Humidity: 100% non condensing

**Data Format**

Data: Email timing is configurable  
Data packet: Comma separated variables  
Unit values<sup>2</sup>: Unit ID; Sensor data reading; Battery voltage; Time & date

**IS Certification (if required)**

RMS: NONE (Safe Zone ONLY)  
Fitted with a Zener Barrier

**Customisations**

- User changeable data interval
- Real time clock
- User defined data format
- Smaller form factor
- Flexible mounting options
- GPS location data
- Modem options:- 3/4/5G Modem | IoT | Wifi
- Hazardous zone certified transmitter
- Customer defined connectors
- Additional input options
- External power options include 115/240V, AC |12/24V, solar power

*The image shown is the current prototype. Due to continuing developments, specifications are subject to change without notice. No liability is accepted for errors or omissions.*

1) dimensions do not include the connector  
2) Information collated will be dependent on the type of sensors & quantity